

## 3.2 Manhole Cover 510x410

with / without Type-Examination acc. PED97/23/EC

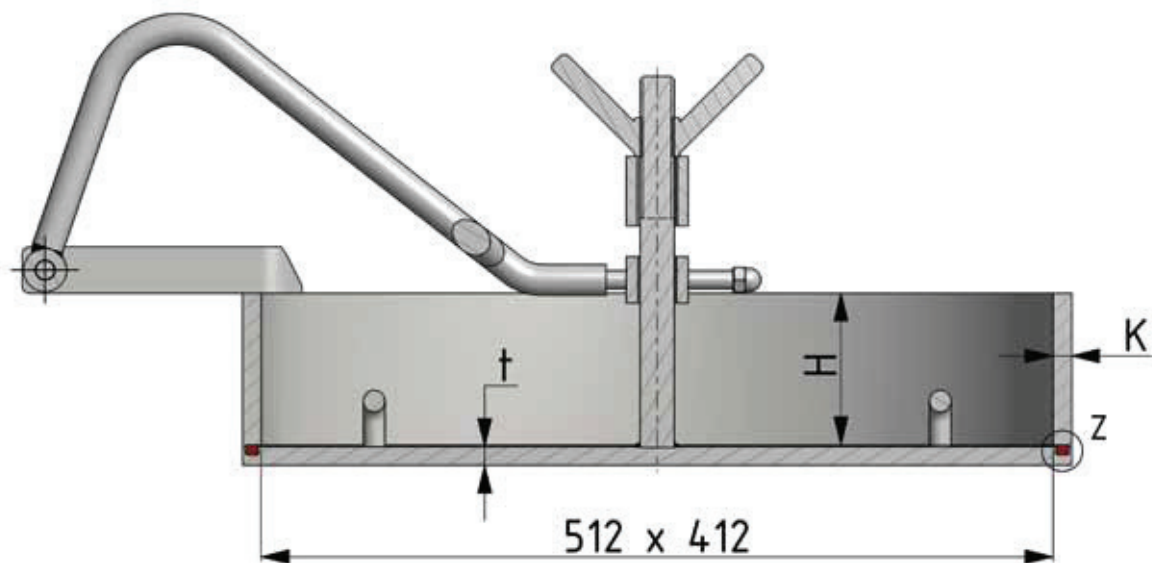


### Standard design

- Wetted Material: 1.4571 or 1.4404 attachment parts 1.4301
- Stainless steel toggle with brass insert
- Silicone-O-Ring gasket
- Without swivel feature, with two handles
- Neck length 100 mm or 60 mm, neck thickness 12 mm
- Surface unpolished, glass-bead blasted
- With approval (Modul G) acc. PED 97/23/EC
- Design Code: AD-2000-Merkblatt

### Options

- Wetted Materials: 1.4435 BN2, 1.4539, 1.4529, 1.4462, 1.4429, HC-22, HC-276, HC-2000, etc.
- Various gasket qualities
- Various surface qualities (glass-bead blasted, pickled or polished up to  $R_a < 0,4 \mu\text{m}$ )
- Neck length up to 250 mm, neck thickness up to 20 mm
- With various limit- or proximity-switches
- Attachment parts in other materials



Z (1:1)



**zimmerlin**  
EDELSTAHL-TECHNIK



Zimmerlin GmbH  
Edelstahl-Technik  
Frohmatenstr. 19  
D-79268 Bötzingen

Tel. +49(0)7663-6088-0  
Fax +49(0)7663-6088-88  
info@zimmerlin.de  
www.zimmerlin.de



Stand: Juni 2015

**with EC-type-examination acc to PED 97/23/EC**

Article No.	MAWP [bar] to 150°C	Neck lenght [mm] H	Description	Weight [kg]	Price in EUR
1022069	2	60	Manhole-Cover (t = 12 mm thick), with welding neck without swivel feature	27,5	
1022109	2	100	Manhole-Cover (t = 12 mm thick), with welding neck without swivel feature	33,3	
1024069	4	60	Manhole-Cover (t = 15 mm thick), with welding neck without swivel feature	30,9	
1024109	4	100	Manhole-Cover (t = 15 mm thick), with welding neck without swivel feature	36,7	
1026069	6	60	Manhole-Cover (t = 20 mm thick), with welding neck without swivel feature	36,6	
1026109	6	100	Manhole-Cover (t = 20 mm thick), with welding neck without swivel feature	42,4	

**without EC-type-examination acc to PED 97/23/EC**

Article No.	Neck lenght [mm] H	Description	Weight [kg]	Price in EUR
1020069	60	Manhole-Cover (t = 10 mm thick), with welding neck without swivel feature	25,1	
1020109	100	Manhole-Cover (t = 10 mm thick), with welding neck without swivel feature	31,0	

**Swivel feature**

Article No.	Description	Weight [kg]	Price in EUR
108	Swivel feature for Manhole-Cover 510x410	1,8	

Gasket see chapter 9.1

